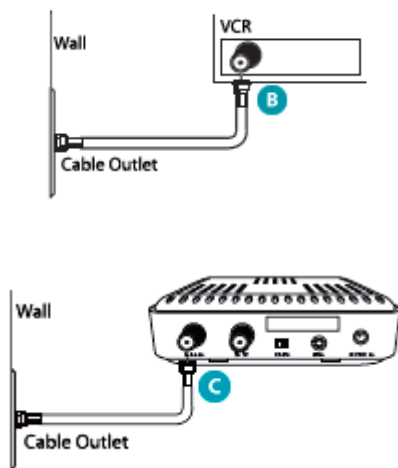


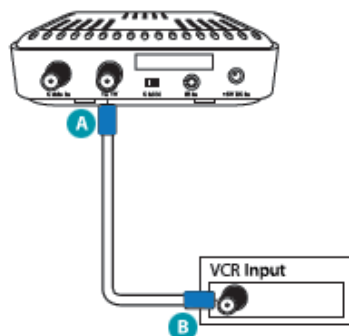
Connect the Mini Box To TV+VCR

1 - Connect the Mini Box to the Cable Outlet



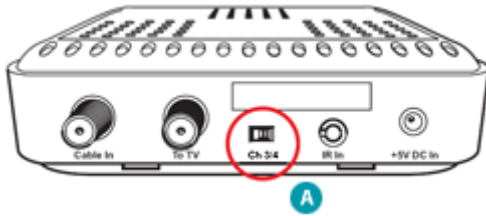
- A** Turn off your TV.
- B** Locate the cable that currently runs from the cable wall outlet to the back of your VCR (or other recording device). Leave one end of the cable connected to the wall, but disconnect the other end from the back of your VCR.
- C** Reconnect this end of the cable to the "Cable In" input on the back of the Mini Box.

2 - Connect the Mini Box to the VCR



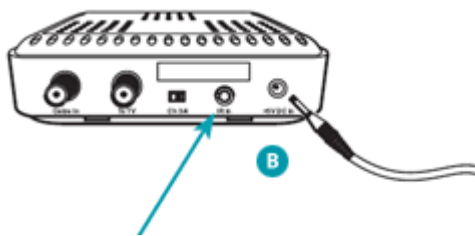
- A** Find the 5-foot coax cable included in your kit. Connect one end of the cable to the "To TV" input on the back of the Mini Box.
- B** Connect the other end to the "Cable In/RF In" input on the back of your VCR.

3 - Power Up



- A Choose which output channel you will use. Customers in the greater Louisville and Lexington Kentucky areas should use channel 4. All other Insight customers should use channel 3.

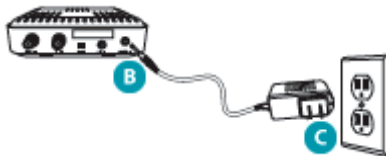
Set the switch on the back of the Mini Box to the proper output channel (Ch 3 or Ch 4).



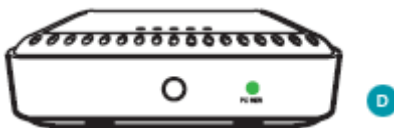
- B Find the power cord included in the kit. Plug the end of the power cord into the power input "+5V DC In" on the back of the Mini Box.

Caution:

Just because it fits that doesn't mean it's in the right place. Be sure that the cord is plugged into the "+5V DC In" plug located on the outward side of the box NOT the "IR In" plug located toward the center of the box.



- C Plug the other end into a working electrical outlet or power strip. Make sure that the outlet is not controlled by a switch that gets turned on and off .

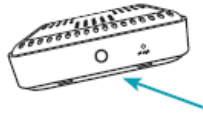


- D Check the front of the Mini Box to see if the green light is on and blinking. If it is not on, check to make sure the power plug was plugged into the power input "+5V DC In" and that the other end is plugged into a working electrical outlet.

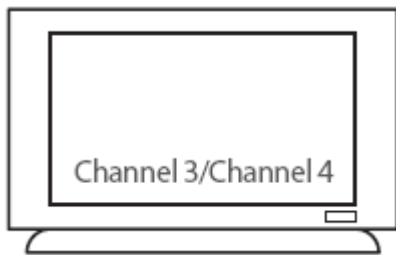
Note: After activation, this light will remain on and constantly lit.

Please wait 20 minutes before calling to activate. This will allow the Mini Box to connect to the Insight network and get the latest updates.

4 - Connecting to the Insight Network and activating your Mini Box



Note: The serial number can be found on the bottom of the Mini Box itself and is also printed on the outside of the Mini Box package.



- A** If you received more than one Mini Box, this would be a good time to get the others installed so you can activate them all with one call.

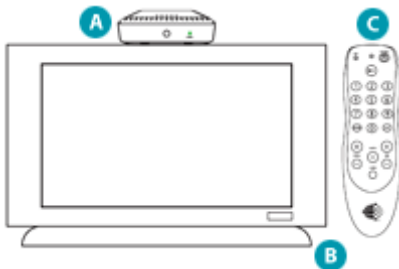
Note: To complete your activation, you will need your account information and the serial number of each Mini Box you are activating..

- B** Call Insight's automated activation line **1.866.907.0979** and follow the instructions

- C** Turn on your TV and tune it to the proper output channel (Ch 3 or Ch 4).

Note: Customers in the greater Louisville and Lexington Kentucky areas should use channel 4. All other Insight customers should use channel 3.

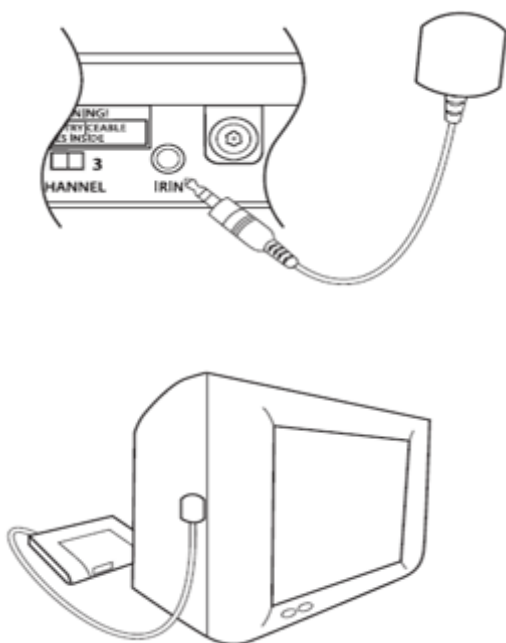
5 – Verify your Insight Services



After completing the activation step, wait a few minutes for Insight programming to appear.

- A** Confirm that the Mini Box is connected to the power and that the light on the front is solid (not blinking)
- B** Make sure the TV is on.
- C** Using the remote control to operate your Mini Box, scroll through your channels and make sure they are all working.

Optional: Connecting the IR receiver



You will need to install the IR receiver if you cannot place the Mini Box in a position that will be in clear view of your remote or if you want to hide the Mini Box behind your TV.

- A** Plug the smaller end of the IR receiver into the “IR In” port on the back of the Mini Box.
- B** Place the other end of the IR receiver where it can be seen from the front of the TV. Use the adhesive fasteners in the package to attach the IR receiver to your TV.

Note: Please be careful. Insight is not responsible for any damage done to any surface you stick these to.

Programming the new remote



This is the easiest method for programming your remote control to operate the volume and power on your TV and to change channels.

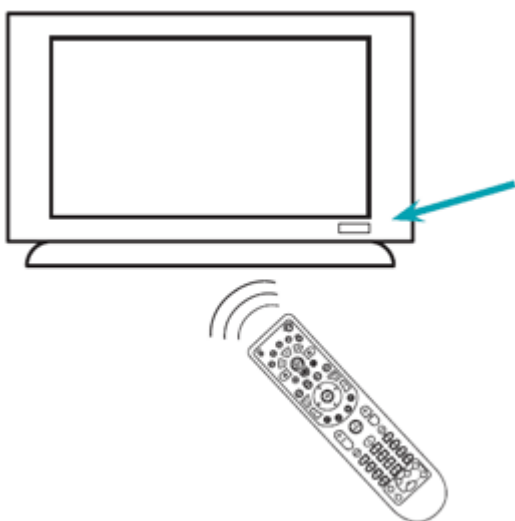
In this next section, you will use the remote to automatically find the right code for your TV.

Keys to successfully programming your remote:

- A** Read all instructions carefully before starting.
- B** Pay attention to the red light on the remote after each step. You'll need to watch for blinks in order to tell if you have completed a step correctly.
- C** Be patient. It may take a few tries to get this right.

- D Step 4 is critical. Remember to press and release Ch+ many times but do it slowly and pay attention. As soon as the TV turns off, you'll only have 5 seconds to press the SET key to lock in the code.

Step 1



- A Turn on your TV using the buttons on the TV or the TV remote and tune the TV to the proper channel (Ch3 or Ch 4).

Note: Your TV must always be set to the proper channel (Ch 3 or Ch 4) to match the output channel on the back of your Mini Box.

Step 2



- A Install the batteries (included in your kit) in your new Insight remote control.
- B **Press and hold** the “Set” button until the red light blinks once, pauses, then blinks TWICE.

Note: Keep your eyes on the remote so you can watch the red light.

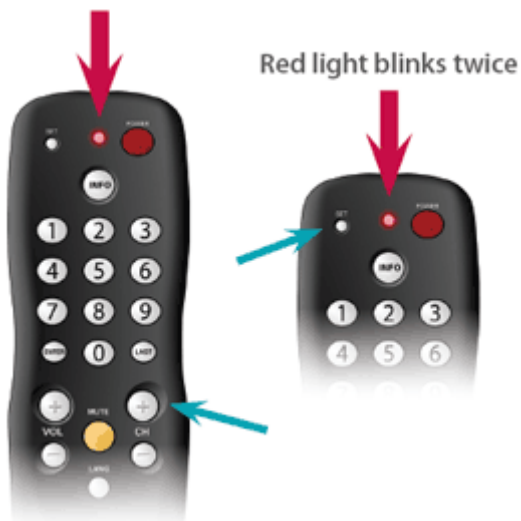
Step 3



- A** Enter 9-9-1. The red light on the remote will blink twice if entered correctly.

Careful:
It's 9-9-1 not 9-1-1.

Step 4

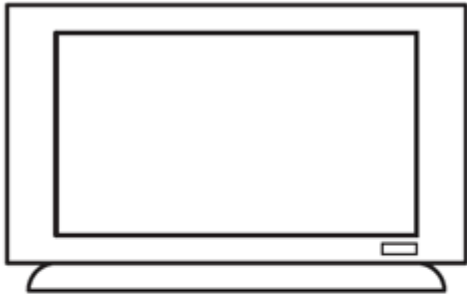


- A** Point the remote at the TV and **slowly press and release "CH+"** one or more times until the TV turns off.
- B** With the TV still off, **press "Set"** within 5 seconds to lock in the code. The red light on the remote will blink twice.

Keys to successfully programming your remote:

- A** Carefully read all parts of step 4 before attempting.
- B** Take your time and hit Ch+ key slowly.
- C** If you hit Ch+ one too many times after your TV turns off, you'll need to start the process over.
- D** Be ready. You must press the SET key within 5 seconds of the TV turning off to lock in the code.
- E** Don't give up. You may have to press the CH+ button many, many times.

Step 5



- A Press the “power” button to turn on your TV.

If your TV comes on, then you have successfully programmed your remote!